

Renewable Energy / Biofuels

Greentech Engineering, LLC is a division of Greendustry Park, Inc. that responds to the urgent need for an all inclusive green technology engineering and prototyping organization here in New England. GTE was created with renewable energy projects in mind. From our backgrounds in the competitive high precision machining fields, we have developed the skills and expertise to act flexibly and deliver your product in the most cost effective way.

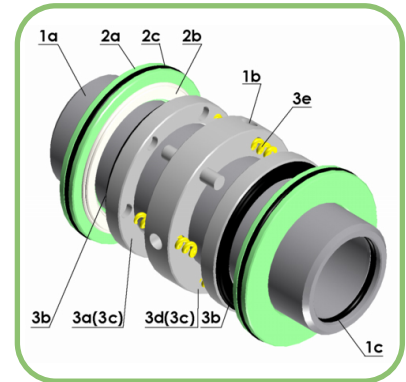
GTE has the equipment and experience to bring your Renewable Energy / Biofuels project online and has successfully implemented conventional, genetic and enzyme-based biofuels systems. Some of the services GTE provides are:

- Engineering of systems, parts and prototypes - GTE is fully equipped to engineer your renewable energy designs and prototypes.
- Prototyping - GTE has full 4 axis CNC milling/machining capabilities and can program up to 5 Axis CAM and machine level MACRO. We also have turning, grinding, welding, and an array of assembly capabilities with the capacity to drill super small holes down to .005 inches in diameter.
- System Design - from basic systems with pumps, pipes and tanks to fully automated or manual systems and process and mechanical engineering.
- Microcontroller and embedded Linux based systems design. Fully integrated or stand-alone.
- Capacity to make a full range of devices and products from any material. Some examples may include:
 - Biofuel Filtration Systems
 - Small to Large Bio-reactors / Pilot Plants
 - Housings, bezels, rotors or brackets
 - Energy Efficient Systems
 - Testing rigs, Performance and MTBF testing
- GTE also specializes in automation and controls. We can integrate this into your prototype or help you retrofit an existing product as well as automate your manufacturing process.

Since GTE is a division of Greendustry Park, you as our client and customer will also have access to all Greendustry Park services including:

- meeting, working, and planning space,
- business support, bookkeeping, and marketing services,
- shared offices, conference rooms and meeting halls,
- a retail outlet/showroom/exhibit area for your products, and much more!

Contact Eric Fogg CTO, efogg@GreentechEngineering.com or go to www.GreentechEngineering.com to find out more...



Engineering

Prototyping

Product Design

Machining

System Design

Embedded
Systems

Full Range of
Materials

CAD / CAM



Greentech Engineering

www.GreentechEngineering.com

info@GreentechEngineering.com - 413.303.9296